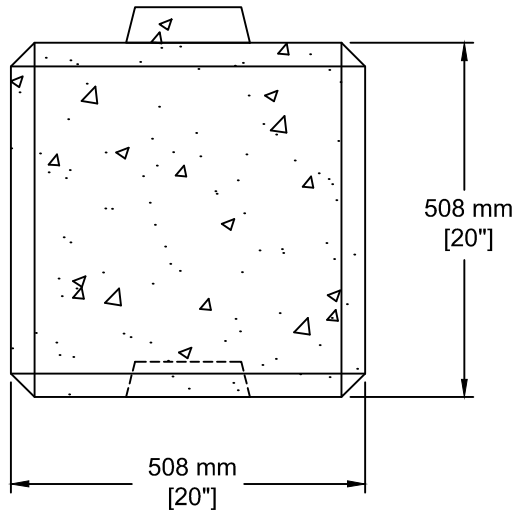


**INSTALLATION INFORMATION**  
**/C 1 - STEEL CABLE LOOP FOR LIFTING**  
**WEIGHT: 650 LBS / 295 KG**



TEL: 250-495-7556  
socp@socp.ca  
www.socp.ca

**Regular 1/2 Precast  
Modular Block**

**Product #**  
**0892**