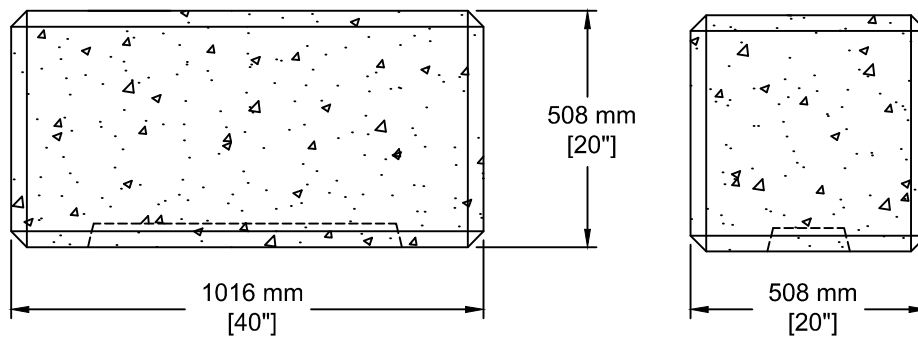


**INSTALLATION INFORMATION**  
 /C 1 - STEEL CABLE LOOP FOR LIFTING  
 WEIGHT: 1256 LBS / 570 KG



TEL: 250-495-7556  
 socp@socp.ca  
 www.socp.ca

**Flat Top Precast  
 Modular Block**

**Product #**

**0891**