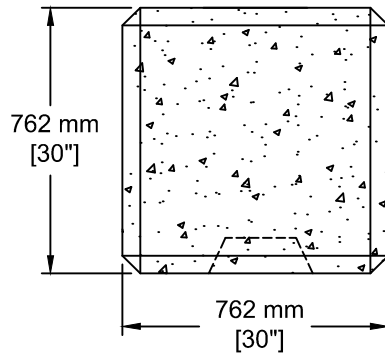


**INSTALLATION INFORMATION**  
**/C 1 - STEEL CABLE LOOP FOR LIFTING**  
**WEIGHT: 2060 LBS / 934 KG**



TEL: 250-495-7556  
socp@socp.ca  
www.socp.ca

**Flat Top 1/2 Precast  
Modular Block**

**Product #  
0883**