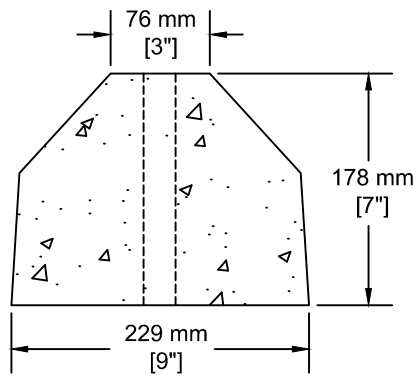


INSTALLATION INFORMATION

/C 2 - ANCHOR PINS

WEIGHT: 317 LBS / 144 KG



TEL: 250-495-7556
socp@socp.ca
www.socp.ca

Box 419, 11602 - 115 st Osoyoos, BC V0H 1V0

FAX: 250-495-3556

**Parking Curb
/c Anchor Pins**

Product #

0754