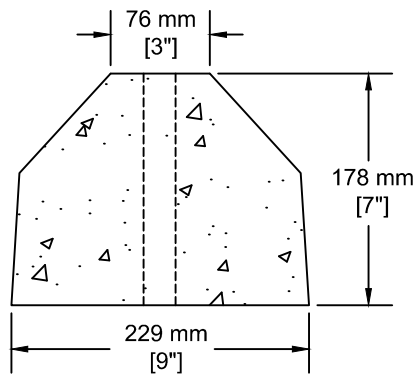


**INSTALLATION INFORMATION**

/C 2 - ANCHOR PINS

WEIGHT: 420 LBS / 191 KG



TEL: 250-495-7556  
socp@socp.ca  
www.socp.ca

Box 419, 11602 - 115 st Osoyoos, BC V0H 1V0

FAX: 250-495-3556

**Parking Curb  
/c Anchor Pins**

Product #

**0752**