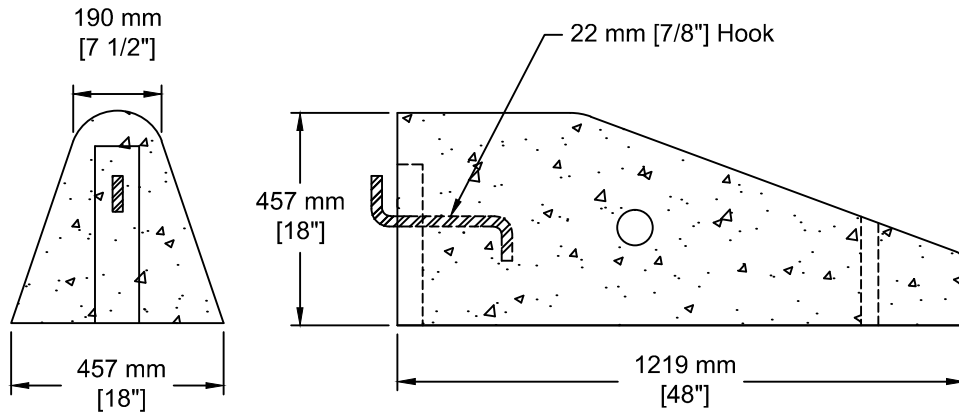


INSTALLATION INFORMATION

1 - 22 MM [7/8"] HOOK

WEIGHT: 650 LBS / 295 KG



TEL: 250-495-7556
 socp@socp.ca
 www.socp.ca

Box 419, 11602 - 115 st Osoyoos, BC V0H 1V0

FAX: 250-495-3556

CBN-1H 460
Bullnose - Hook

Product #

0738