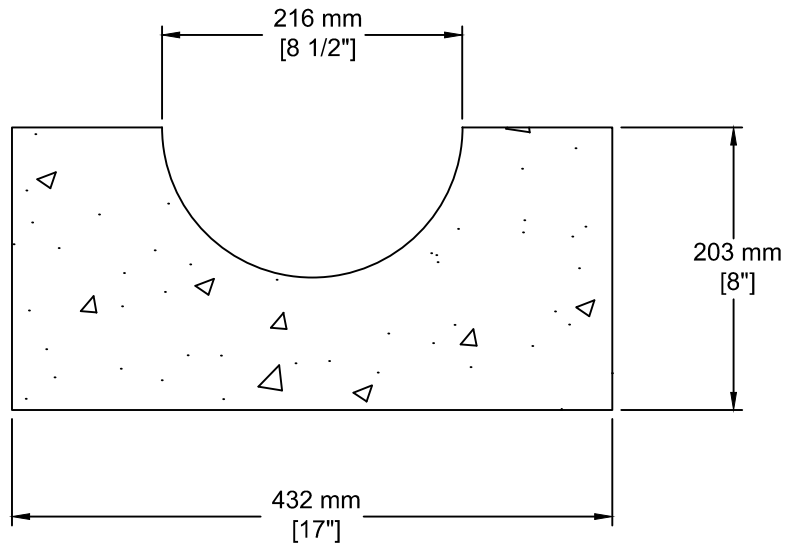


INSTALLATION INFORMATION
 WEIGHT: 500 LBS 227 KG



TEL: 250-495-7556
 socp@socp.ca
 www.socp.ca

Box 419, 11602 - 115 st Osoyoos, BC V0H 1V0

FAX: 250-495-3556

203 mm [8"] SDR 35
 Pipe Weights

Product #

0525