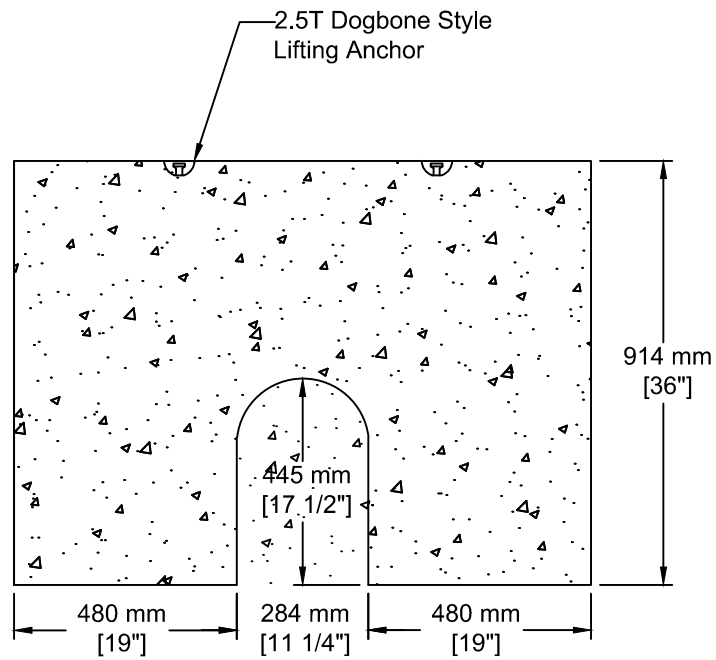


INSTALLATION INFORMATION
 2 - 2.5T DOGBONE STYLE LIFTING ANCHORS
 WEIGHT: 1154 LBS 525 KG



Thrust Block - U Void -
 1245 mm x 914 mm x 228 mm
 (49"x36"x9")

Product #
0520-U



TEL: 250-495-7556
 socp@socp.ca
 www.socp.ca