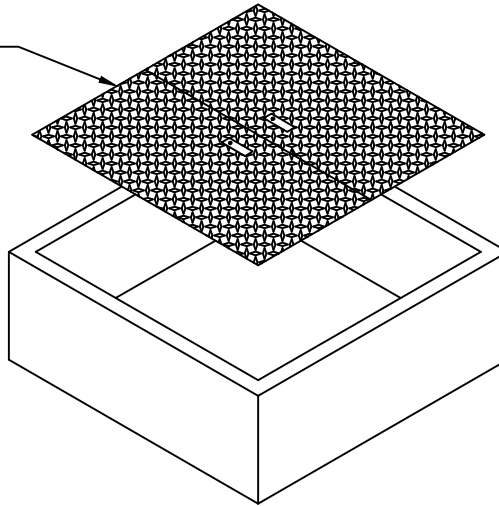


USF TPD 1346 mm x 1346 mm (53" x 53")
Hatch Style Lid: Sold Separately

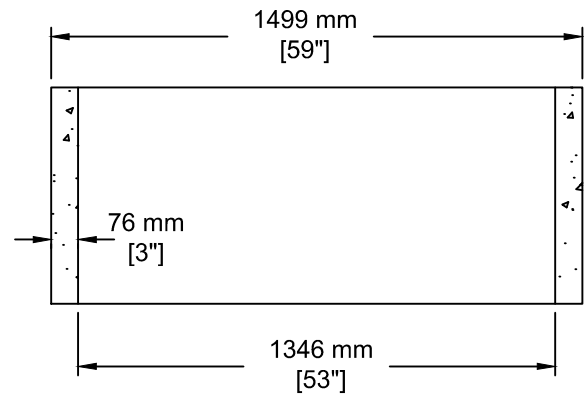
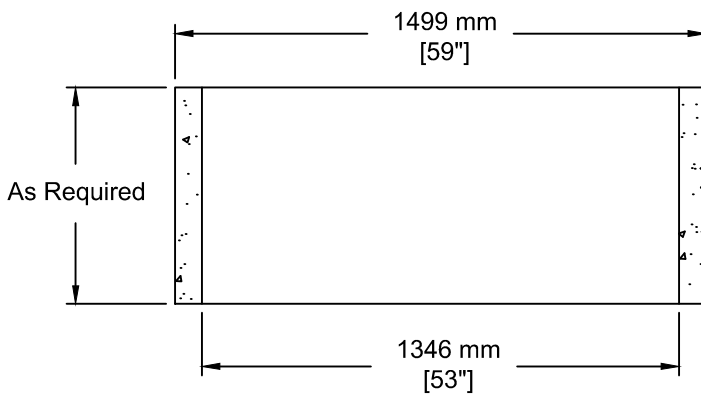


INSTALLATION INFORMATION

2 - 2.5T DOGBONE STYLE LIFTING ANCHORS
WEIGHT: VARIES

DESIGN SPECIFICATION

MANUFACTURED IN ACCORDANCE WITH: CSA A23.4, B-66
ASTM C1227



SOC
SOUTH OKANAGAN
CONCRETE PRODUCTS LTD
Box 419, 11602 - 115 st Osoyoos, BC V0H 1V0 TEL: 250-495-7556
socp@socp.ca www.socp.ca FAX: 250-495-3556

(2000) Water Meter Chamber Riser
FH Î Á { Á FH Î Á { Á FH Î Á HD
x Height as Required

Product #
0508-R