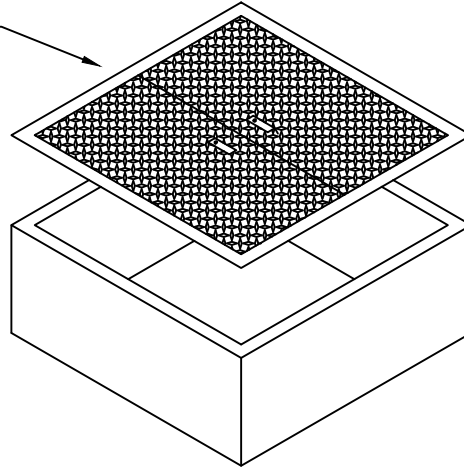


1346 mm x 1346 mm (53" x 53")
Hatch Style Lid: Sold Separately



INSTALLATION INFORMATION

2 - 2.5T DOGBONE STYLE LIFTING ANCHORS
WEIGHT: VARIES

DESIGN SPECIFICATION

MANUFACTURED IN ACCORDANCE WITH: CSA A23.4, B-66
ASTM C1227

