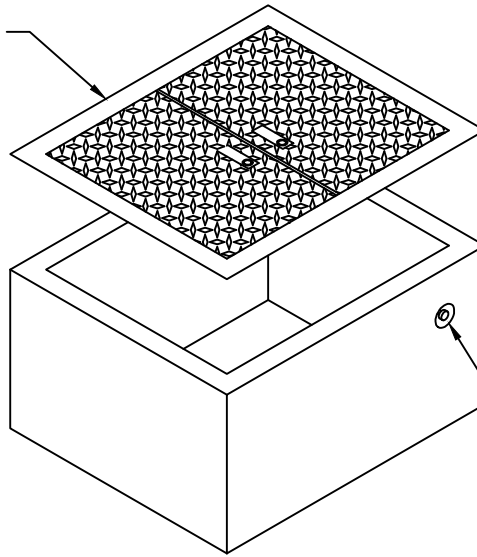


889 mm x 1092 mm (35" x 43")
Hatch Style Lid: Sold Separately



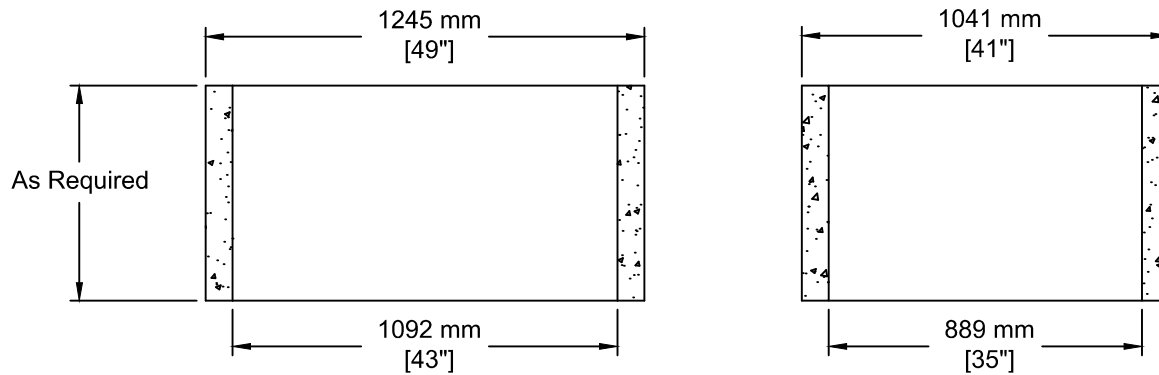
Dogbone Style
Lifting Anchors

INSTALLATION INFORMATION

2 - 2.5T DOGBONE STYLE LIFTING ANCHORS
WEIGHT: VARIES

DESIGN SPECIFICATION

MANUFACTURED IN ACCORDANCE WITH: CSA A23.4, B-66
ASTM C1227



TEL: 250-495-7556
socp@socp.ca
www.socp.ca

Box 419, 11602 - 115 st Osoyoos, BC V0H 1V0

FAX: 250-495-3556

#0503 WMC Riser -
889 mm x 1092 mm (35" x 43") x
Height as Required

Product #
0503-R