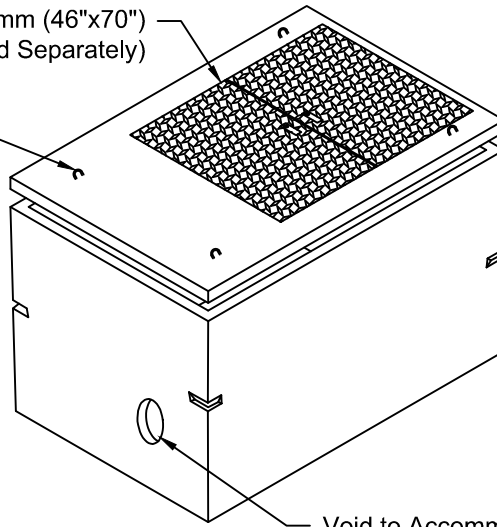


USF TPD 1168 mm x 1778 mm (46"x70")
Hatch Style Lid (Sold Separately)

4 - 10 mm (3/8")
R-Anchors for handling



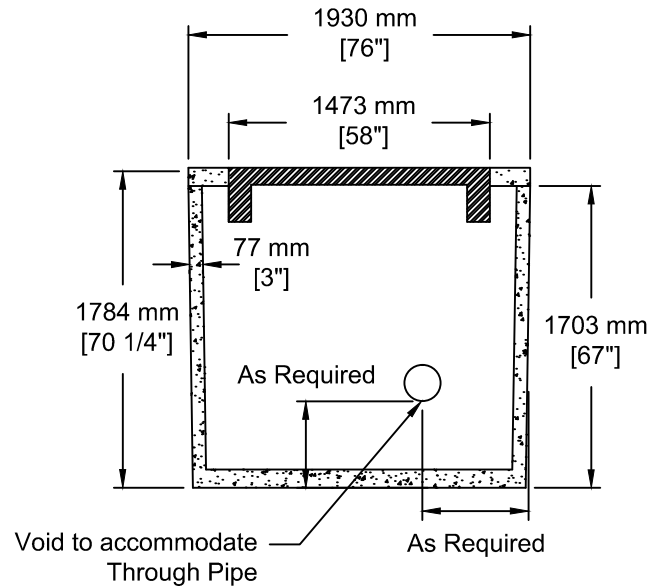
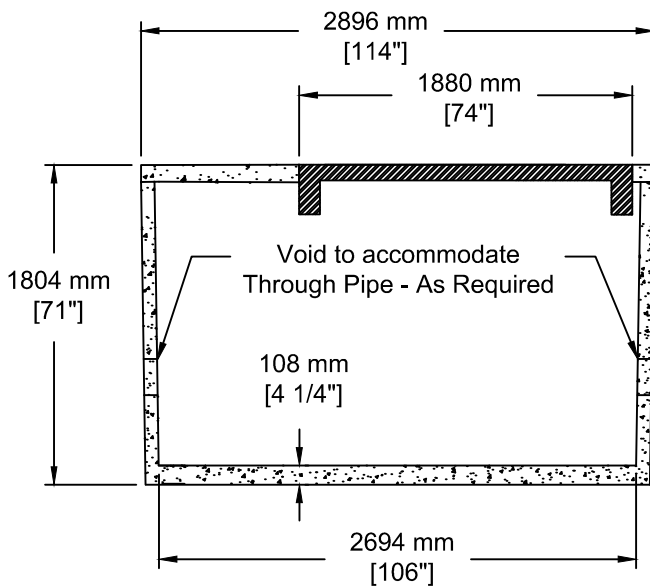
Void to Accommodate Through Pipe
1 - Each End

INSTALLATION INFORMATION

TANK - SPREADER BAR & CABLES FOR HANDLING
HATCH STYLE "CAST-IN" ACCESS HATCH SOLD SEPARATELY
LID C/ 4 - 3/8" R-ANCHORS FOR HANDLING
GASKET: CONSEAL BUTYL SEALANT
WEIGHT: LBS / KG (LID)
WEIGHT: LBS / KG (TANK)

DESIGN SPECIFICATION

MANUFACTURED IN ACCORDANCE WITH: CSA A23.4, B-66
ASTM C1227



SOC
SOUTH OKANAGAN
CONCRETE PRODUCTS LTD

TEL: 250-495-7556
socp@socp.ca
www.socp.ca

Box 419, 11602 - 115 st Osoyoos, BC V0H 1V0 FAX: 250-495-3556

(1450) TS-1Ch WMC c/w
Hatch Cast Into Lid
1168 mm x 1778 mm (46"x70") Opening

Product #
0502