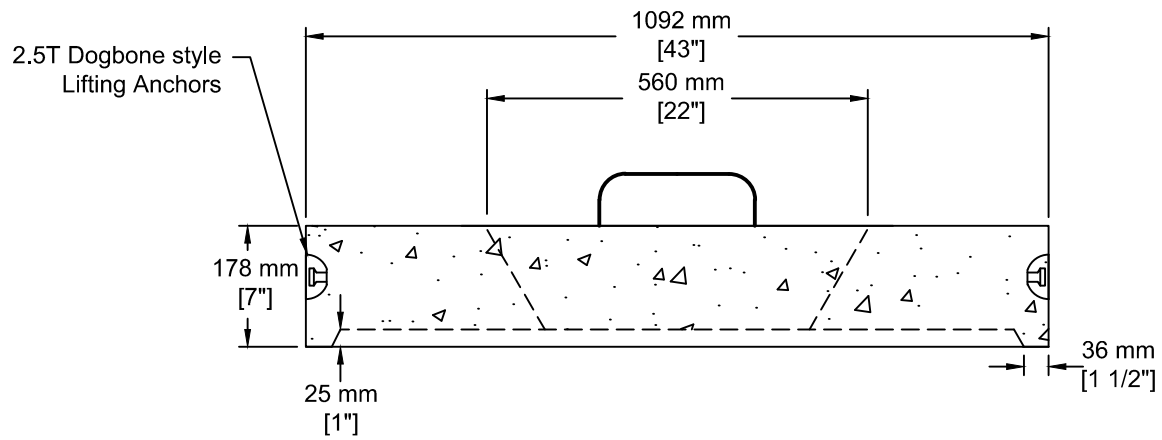


INSTALLATION INFORMATION

2 - 2.5T DOGBONE STYLE LIFTING ANCHORS
 WEIGHT: 601 LBS / 273 KG



**SOUTH OKANAGAN
 CONCRETE PRODUCTS LTD**

TEL: 250-495-7556
 socp@socp.ca
 www.socp.ca

Box 419, 11602 - 115 st Osoyoos, BC V0H 1V0

FAX: 250-495-3556

**900 ID (36") Catch Basin Lid -
 MHP C/w Manhole Plug**

Product #

0478