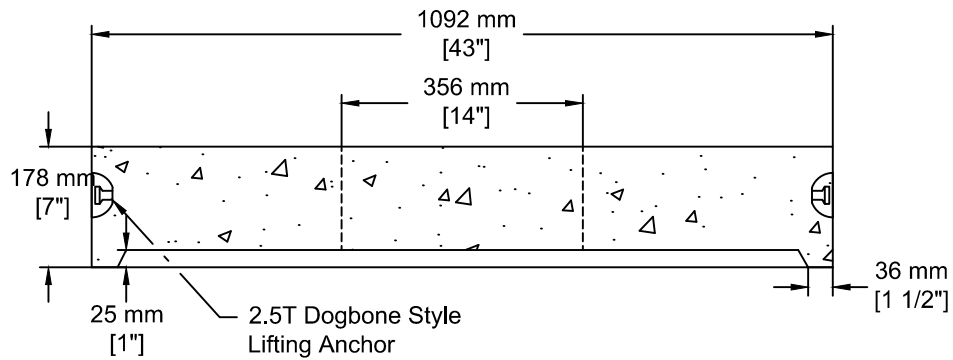


INSTALLATION INFORMATION

2 - 2.5T DOGBONE STYLE LIFTING ANCHORS

WEIGHT: 515 LBS / 235 KG



TEL: 250-495-7556
 socp@socp.ca
 www.socp.ca

SOUTH OKANAGAN
 CONCRETE PRODUCTS LTD

Box 419, 11602 - 115 st Osoyoos, BC V0H 1V0

FAX: 250-495-3556

900 ID (36") Catch Basin Lid -
 B19 Op

Product #

0476