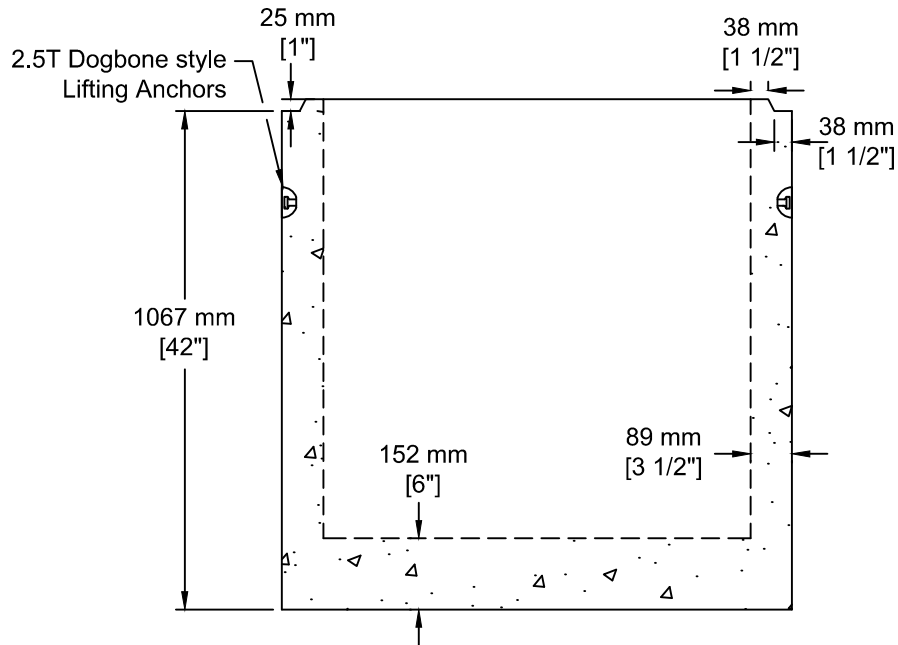


INSTALLATION INFORMATION

2 - 2.5T DOGBONE STYLE LIFTING ANCHORS

WEIGHT: LBS / KG



TEL: 250-495-7556
 socp@socp.ca
 www.socp.ca

900 ID (36") x 1.07vm
 Catch Basin - B c/w Base

Product #
0473-B