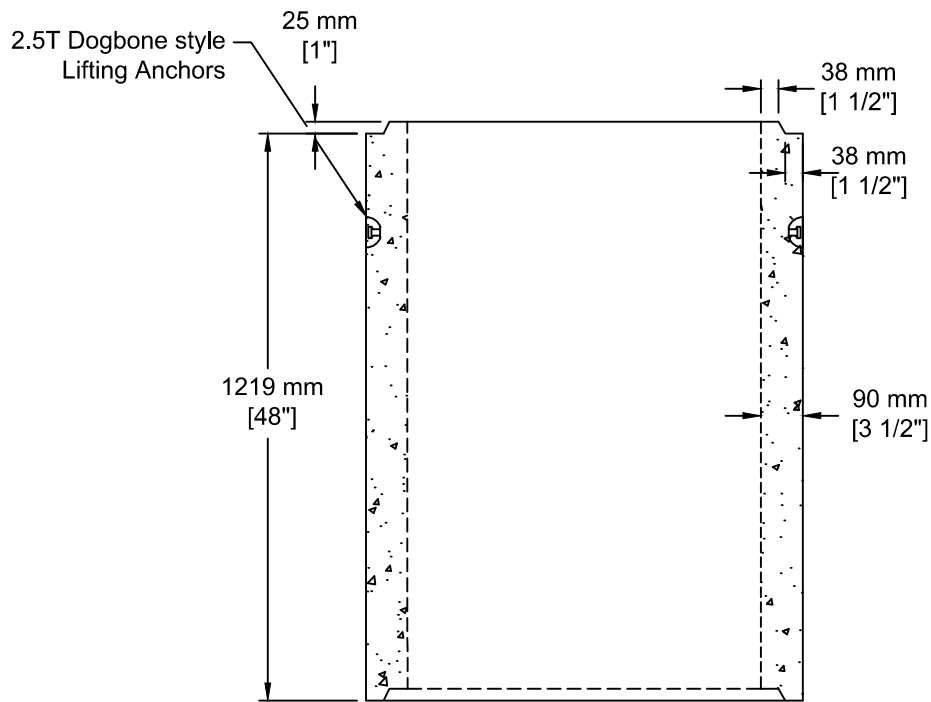


INSTALLATION INFORMATION
 2 - 2.5T DOGBONE STYLE LIFTING ANCHORS
 WEIGHT: 1464 LBS / 664 KG



SOCPC
 SOUTH OKANAGAN
 CONCRETE PRODUCTS LTD
 TEL: 250-495-7556
 socpc@socpc.ca
 www.socpc.ca
 Box 419, 11602 - 115 st Osoyoos, BC V0H 1V0 FAX: 250-495-3556

**750 ID (30") x 1.2vm
 Catch Basin Riser**

**Product #
 0464**