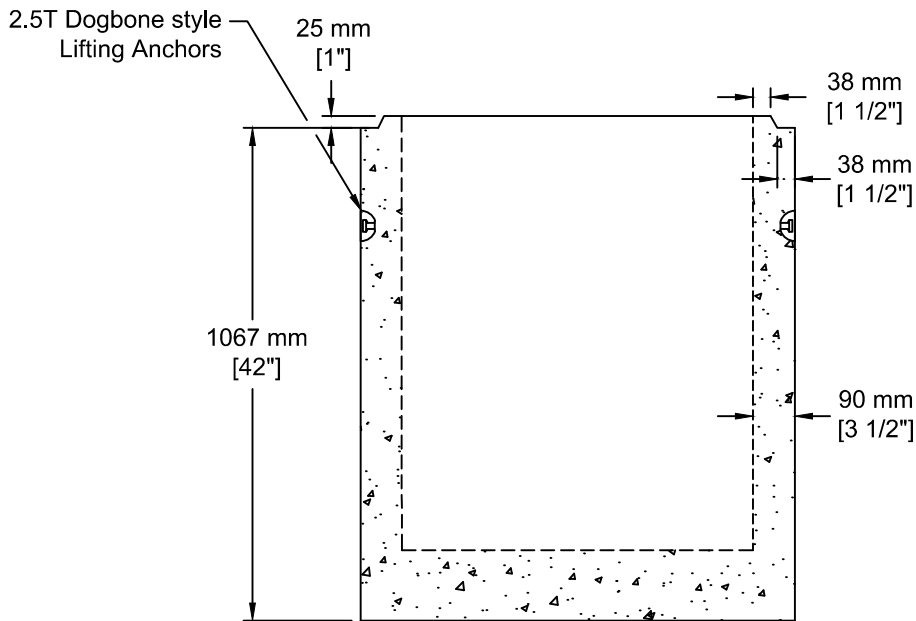


**INSTALLATION INFORMATION**  
 2 - 2.5T DOGBONE STYLE LIFTING ANCHORS  
 WEIGHT: 1913 LBS / 868 KG



TEL: 250-495-7556  
 socp@socp.ca  
 www.socp.ca

**750 ID (30") x 1.07vm  
 Catch Basin - B c/w Base**

**Product #  
 0463-B**