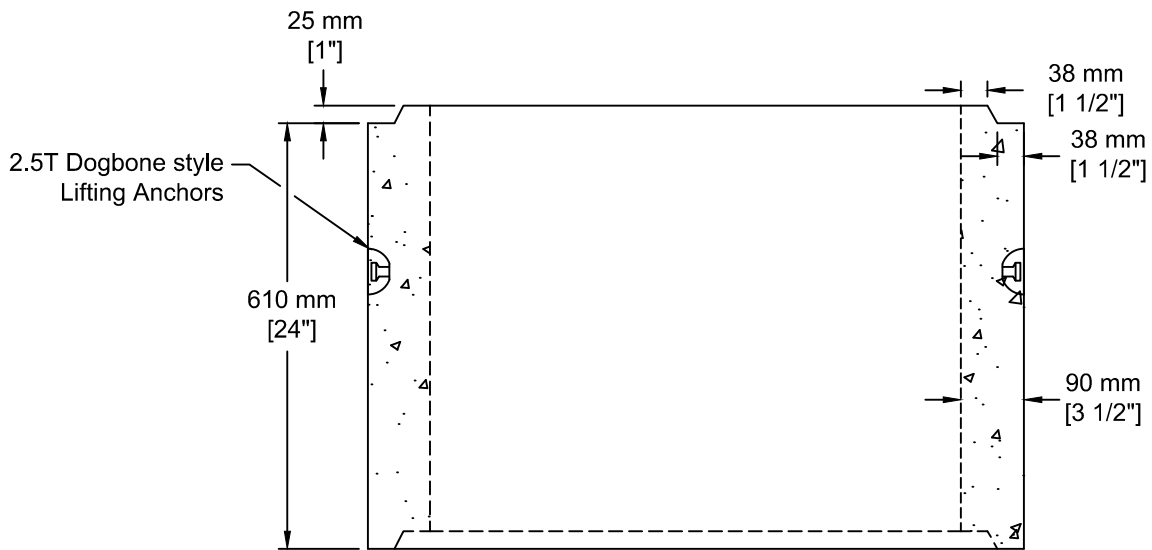


**INSTALLATION INFORMATION**  
 2 - 2.5T DOGBONE STYLE LIFTING ANCHORS  
 WEIGHT: 732 LBS / 332 KG



**750 ID (30") x 0.61vm  
 Catch Basin Riser**

**Product #  
 0462**



TEL: 250-495-7556  
 socp@socp.ca  
 www.socp.ca