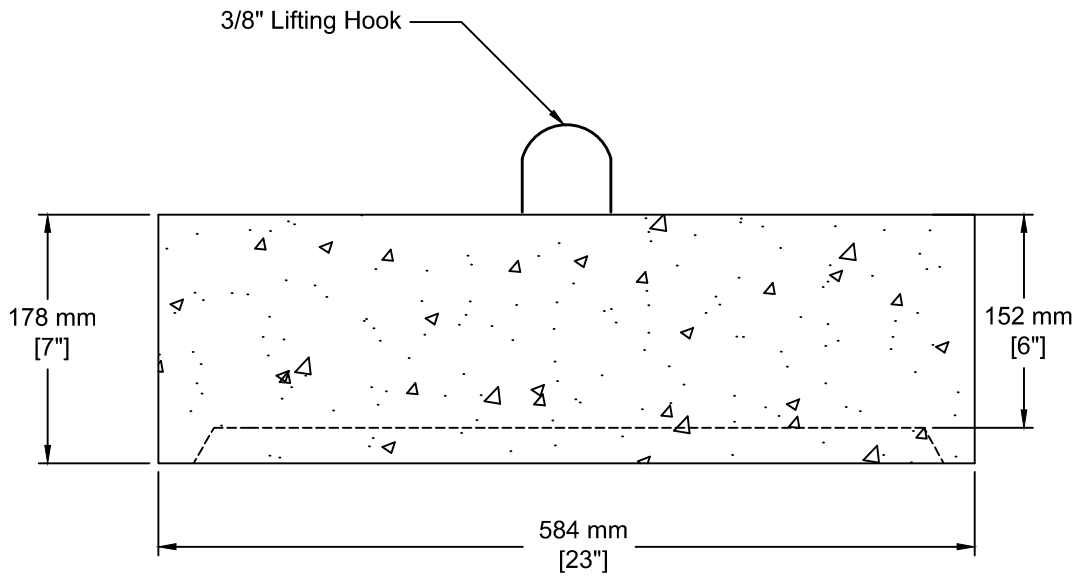


**INSTALLATION INFORMATION**

1 - 10 MM [3/8"] LIFTING HOOK

WEIGHT: 232 LBS / 106 KG



TEL: 250-495-7556  
socp@socp.ca  
www.socp.ca

**450 Catch Basin Lid - Solid**

Product #

**0448**