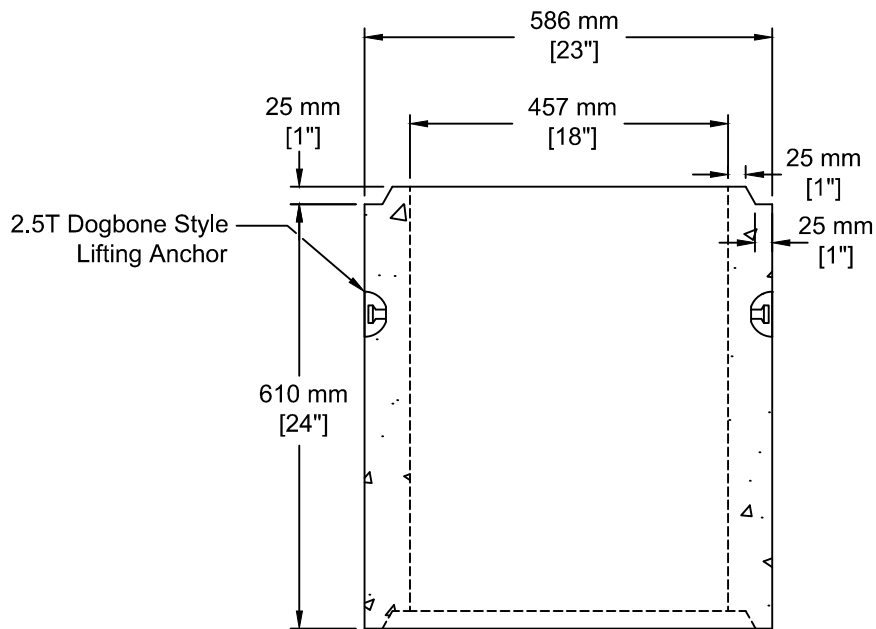


**INSTALLATION INFORMATION**

**2 - 2.5T DOGBONE STYLE LIFTING ANCHORS**

**WEIGHT: 322 LBS / 146 KG**



TEL: 250-495-7556  
 socp@socp.ca  
 www.socp.ca

Box 419, 11602 - 115 st Osoyooos, BC V0H 1V0

FAX: 250-495-3556

**450 ID (18") x 0.61vm  
 Catch Basin Riser**

**Product #**

**0442**