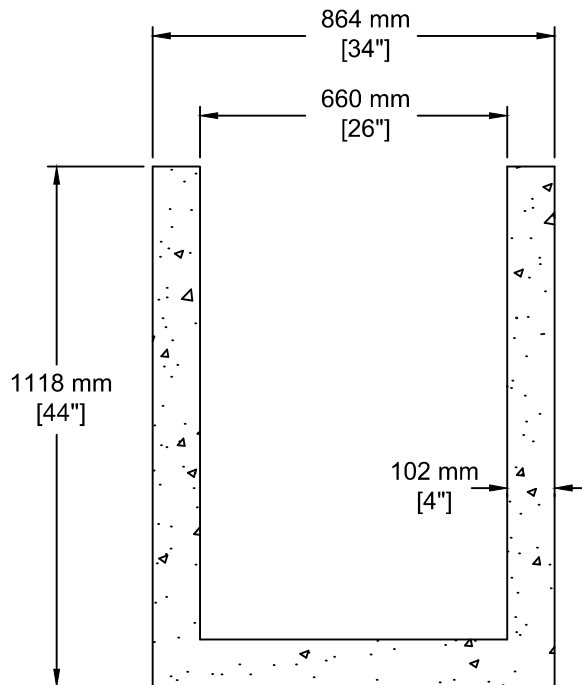


INSTALLATION INFORMATION  
 WEIGHT: 2100 LBS / 953 KG



Washington State Spec -  
 Standard Plan B-1



TEL: 250-495-7556  
 socp@socp.ca  
 www.socp.ca

Type I Catch Basin

Product #

**0440**