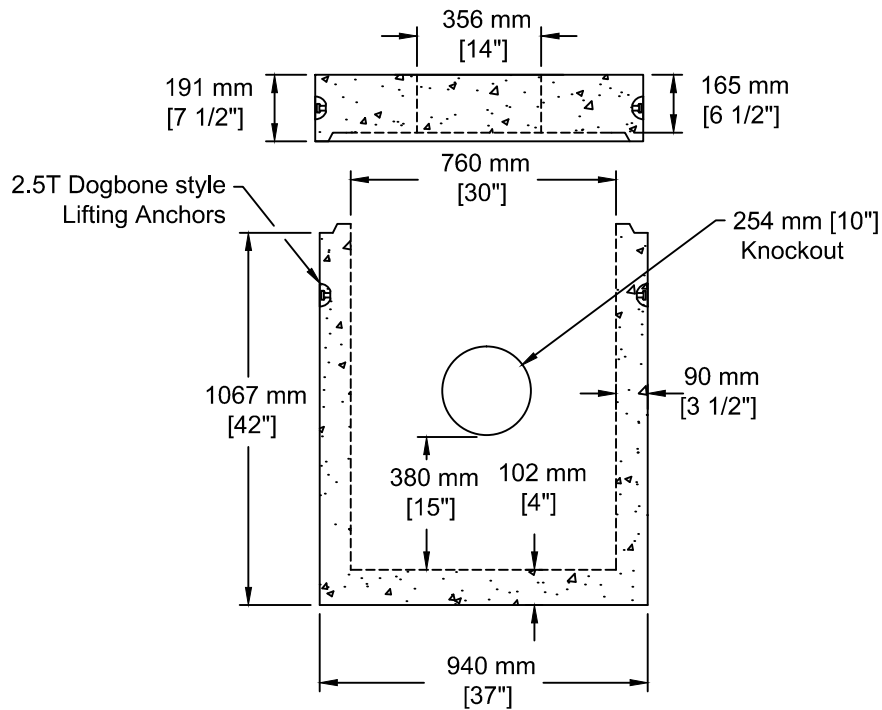


INSTALLATION INFORMATION

2 - 2.5T DOGBONE STYLE LIFTING ANCHORS
 LID OPENING TO ACCOMMODATE - B-19 F&G
 WEIGHT: 2283 LBS / 1035 KG



TYPE 1 Top Inlet S-S11a



TEL: 250-495-7556
 socp@socp.ca
 www.socp.ca

Box 419, 11602 - 115 st Osoyoos, BC V0H 1V0

FAX: 250-495-3556

750 ID (30") Catch Basin
 c/w Lid

Product #

0435