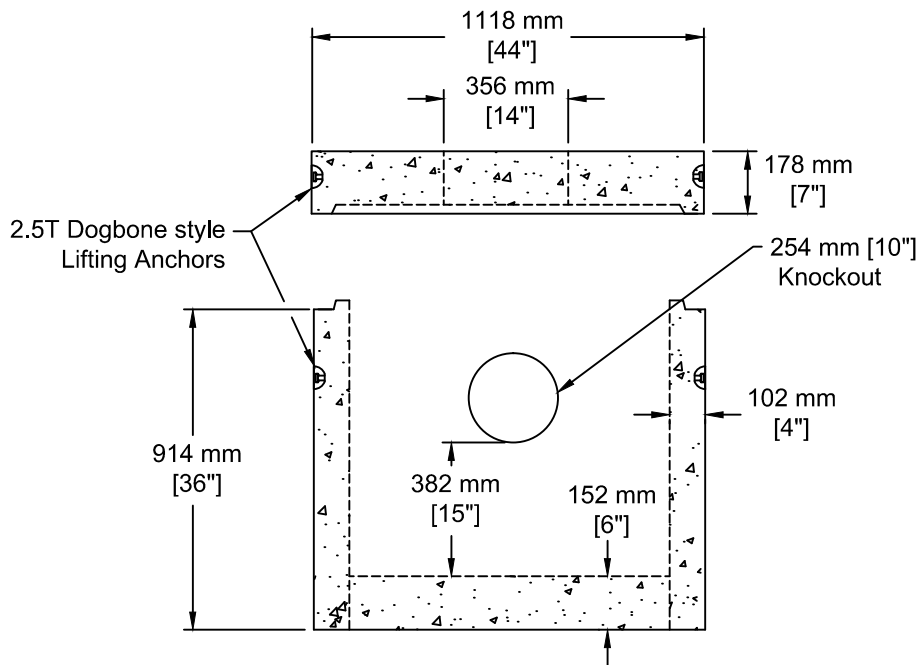


INSTALLATION INFORMATION

2 - 2.5T DOGBONE STYLE LIFTING ANCHORS
 LID TO ACCOMMODATE - B-19A F&G
 WEIGHT: LBS / KG



MOT Spec



TEL: 250-495-7556
 socp@socp.ca
 www.socp.ca

Box 419, 11602 - 115 st Osoyoos, BC V0H 1V0

FAX: 250-495-3556

900 ID (36") Catch Basin
 c/w Lid - SP582-02.02

Product #

0432