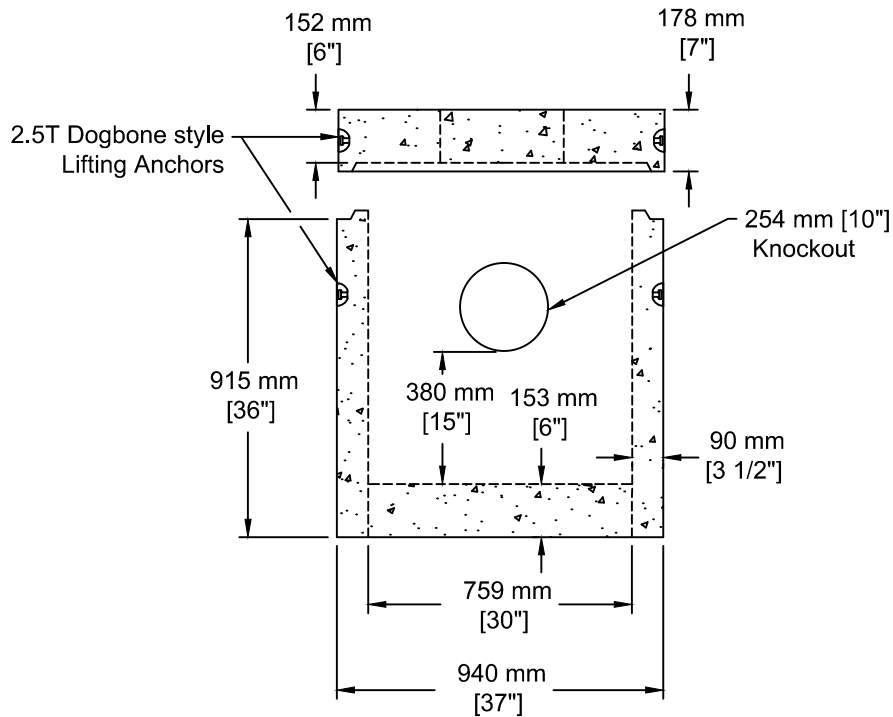


INSTALLATION INFORMATION

2 - 2.5T DOGBONE STYLE LIFTING ANCHORS
 LID OPENING TO ACCOMMODATE - B-19A F&G
 WEIGHT: 1853 LBS / 840 KG



MOT Spec



TEL: 250-495-7556
 socp@socp.ca
 www.socp.ca

**750 ID (30") Catch Basin
 c/w Lid - SP582-02.01**

Product #
0431