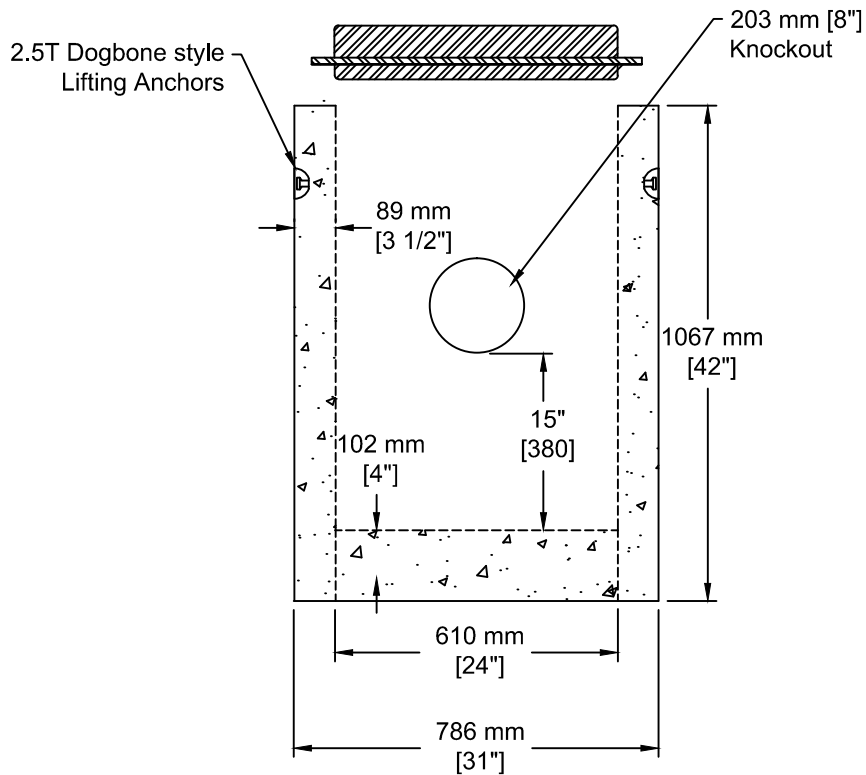


INSTALLATION INFORMATION
DESIGN SPECIFICATION - ASTM C478
2 - 2.5T DOGBONE STYLE LIFTING ANCHORS
WEIGHT: 1698 LBS / 770 KG



TEL: 250-495-7556
 socp@socp.ca
 www.socp.ca

600 ID (24") x 1.07vm Catch Basin c/w B26B Frame & Grate

Product #
0428