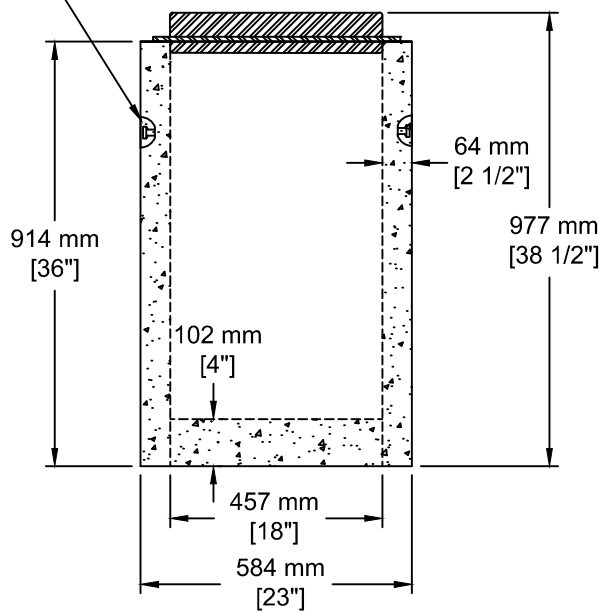


**INSTALLATION INFORMATION**  
**DESIGN SPECIFICATION - ASTM C478**  
**2 - 2.5T DOGBONE STYLE LIFTING ANCHORS**  
**WEIGHT: 759 LBS / 344 KG**

2.5T Dogbone style  
Lifting Anchors



TEL: 250-495-7556  
 socp@socp.ca  
 www.socp.ca

Box 419, 11602 - 115 st Osoyoos, BC V0H 1V0

FAX: 250-495-3556

**450 ID (18") x 0.9vm Catch  
 Basin c/w B26A Frame & Grate**

Product #  
**0427**