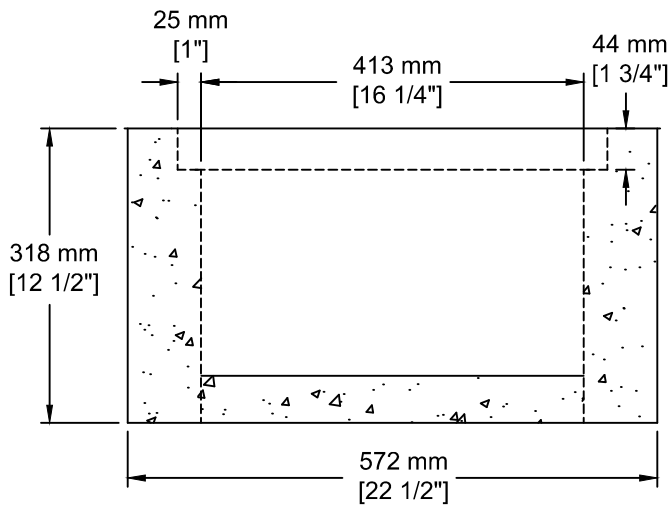
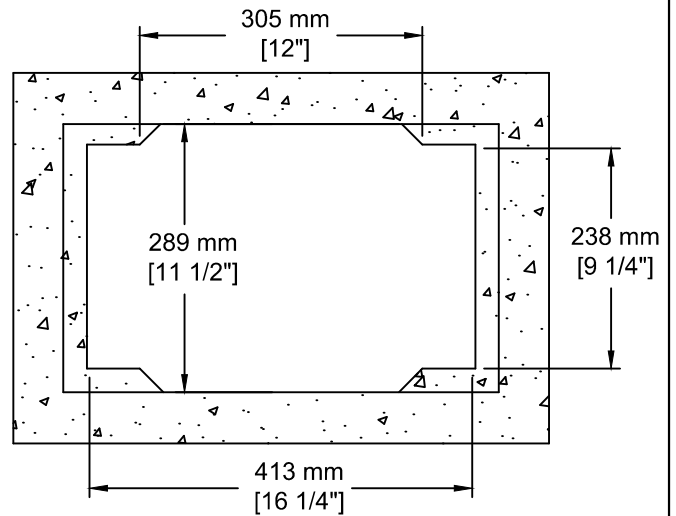


Side View



Top View



TEL: 250-495-7556  
 socp@socp.ca  
 www.socp.ca

**Type 37 Lawn Basin - IB x 0.3  
 c/w #37 Grate**

**Product #**

**0424**