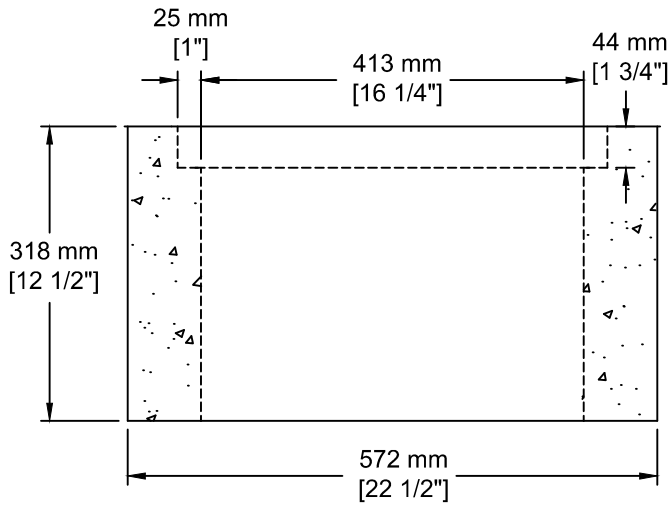
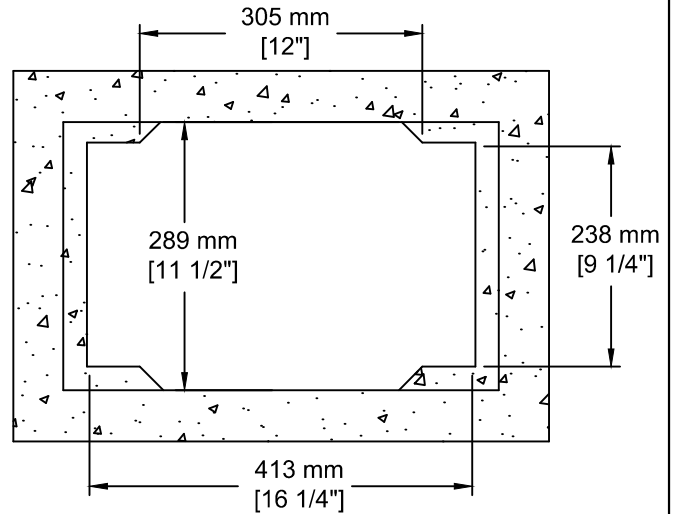


Side View



Top View



TEL: 250-495-7556
socp@socp.ca
www.socp.ca

Type 37 Lawn Drain x 0.3vm
c/w #37 Grate

Product #

0423