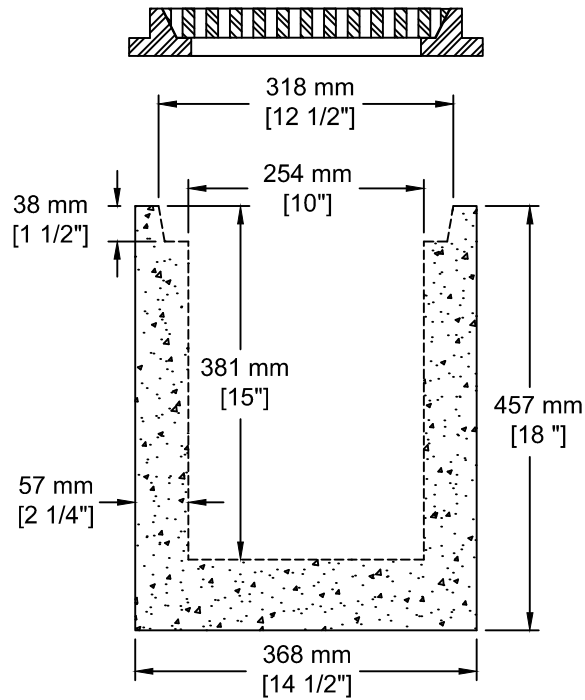


**INSTALLATION INFORMATION**

1 - D-2 GRATE

WEIGHT: 168 LBS / 76 KG



TEL: 250-495-7556  
 socp@socp.ca  
 www.socp.ca

250 ID (10") x 0.46vm Industrial Catch  
 Basin c/w D-2 Frame & Grate

Product #

**0414**