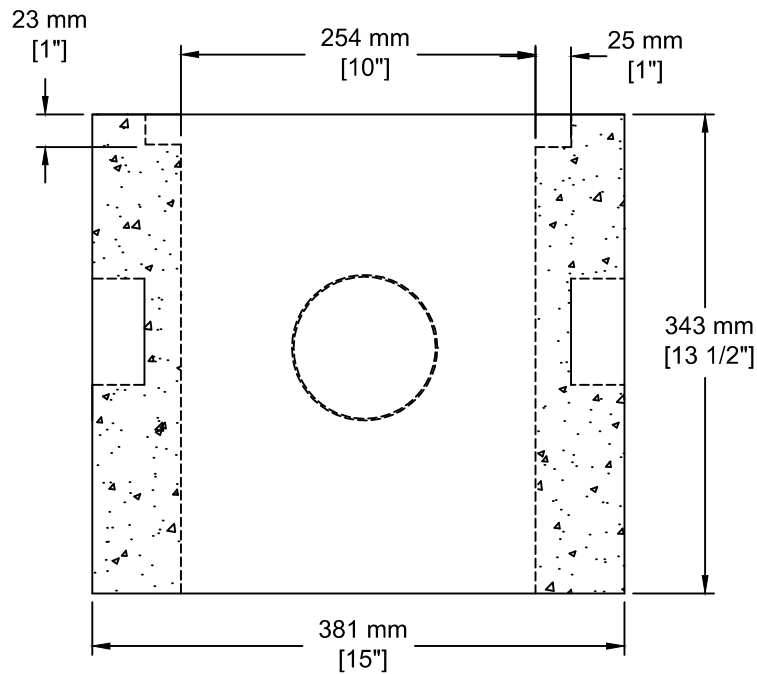


**INSTALLATION INFORMATION**

2 - 76 MM [3"] KNOCKOUT

2 - 102 [4"] KNOCKOUT

WEIGHT: 150 LBS / 68 KG



TEL: 250-495-7556  
 socp@socp.ca  
 www.socp.ca

Industrial Square Catch Basin Set  
 c/ B-30 Frame and Grate

Product #

**0412**