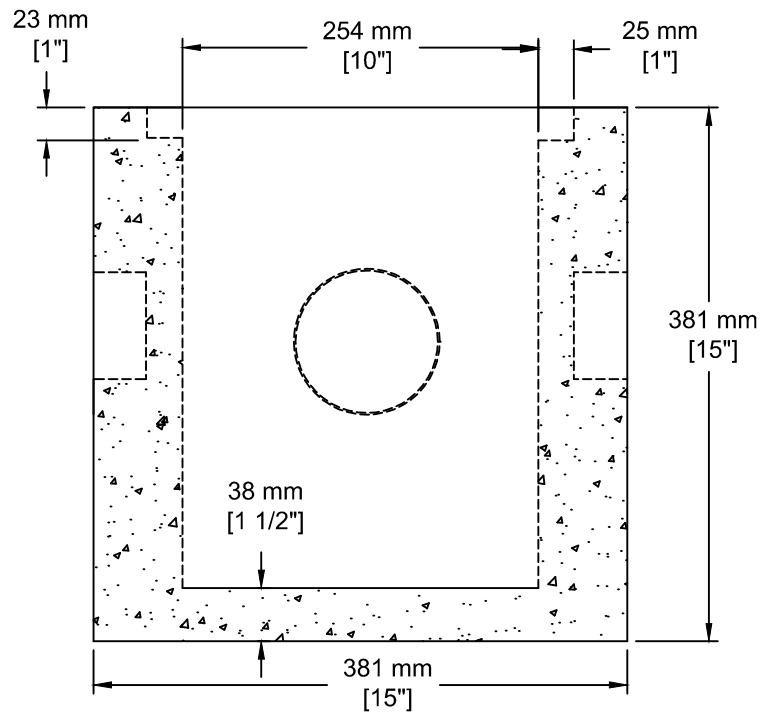


INSTALLATION INFORMATION

2 - 76 MM [3"] KNOCKOUT

2 - 102 [4"] KNOCKOUT

WEIGHT: 175 LBS / 79 KG



TEL: 250-495-7556
 socp@socp.ca
 www.socp.ca

Residential Square Catch Basin Set
 with Base c/ B-5 Grate

Product #

0411-B