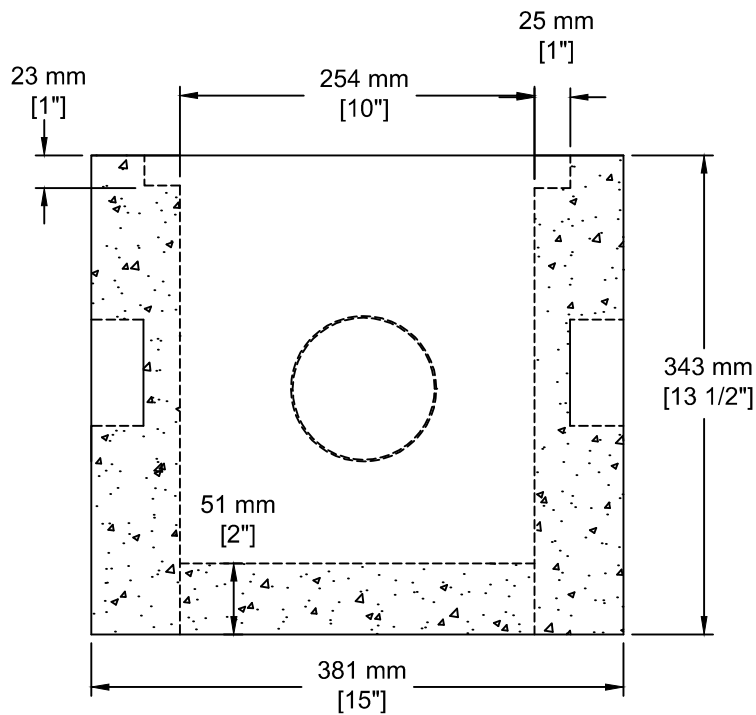


INSTALLATION INFORMATION

2 - 76 MM [3"] KNOCKOUT

2 - 102 [4"] KNOCKOUT

WEIGHT: 150 LBS / 68 KG



TEL: 250-495-7556
 socp@socp.ca
 www.socp.ca

Box 419, 11602 - 115 st Osoyoos, BC V0H 1V0

FAX: 250-495-3556

**Residential Square
 Catch Basin Set c/ B-5 Grate**

Product #

0411