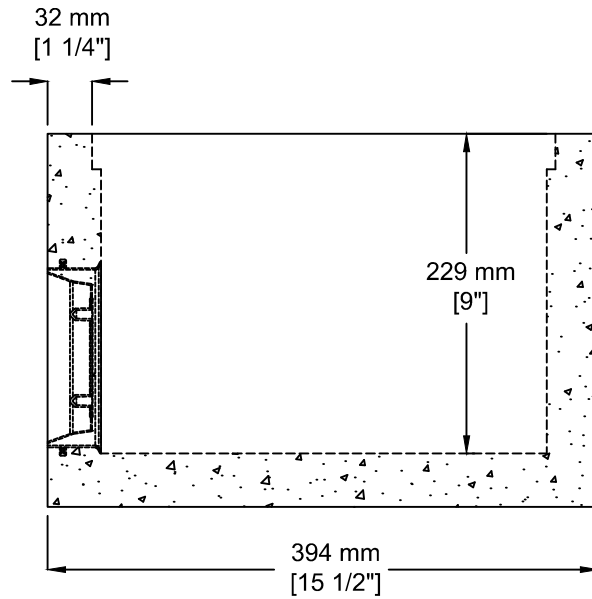
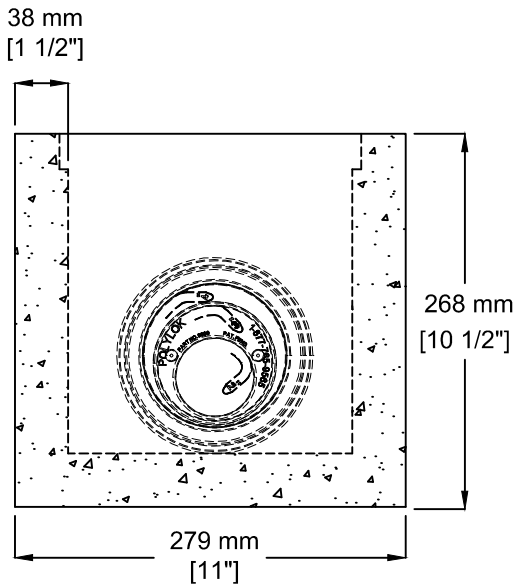


INSTALLATION INFORMATION

1 - POLYPROPYLENE GRATE

1 - POLYRISER 3000 TYPE PIPE SEAL (ACCEPTS 2", 3", 4" PVC)

WEIGHT: 78 LBS / 35 KG



TEL: 250-495-7556
 socp@socp.ca
 www.socp.ca

Box 419, 11602 - 115 st Osoyoos, BC V0H 1V0

FAX: 250-495-3556

**Residential Catch Basin
 c/ Polypropylene Grate**

Product #

0410