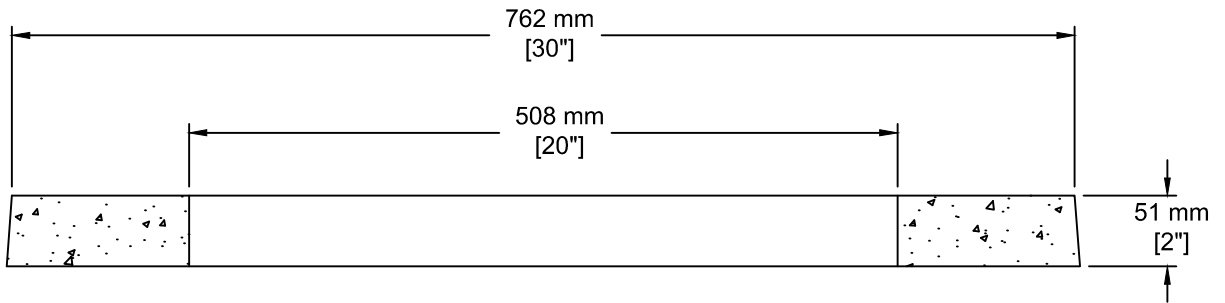


Installation Information
 Weight: lbs / kg



TEL: 250-495-7556
 socp@socp.ca
 www.socp.ca

50 mm Grade Ring
 7FD Opening

Product #
0403-2