

**INSTALLATION INFORMATION**

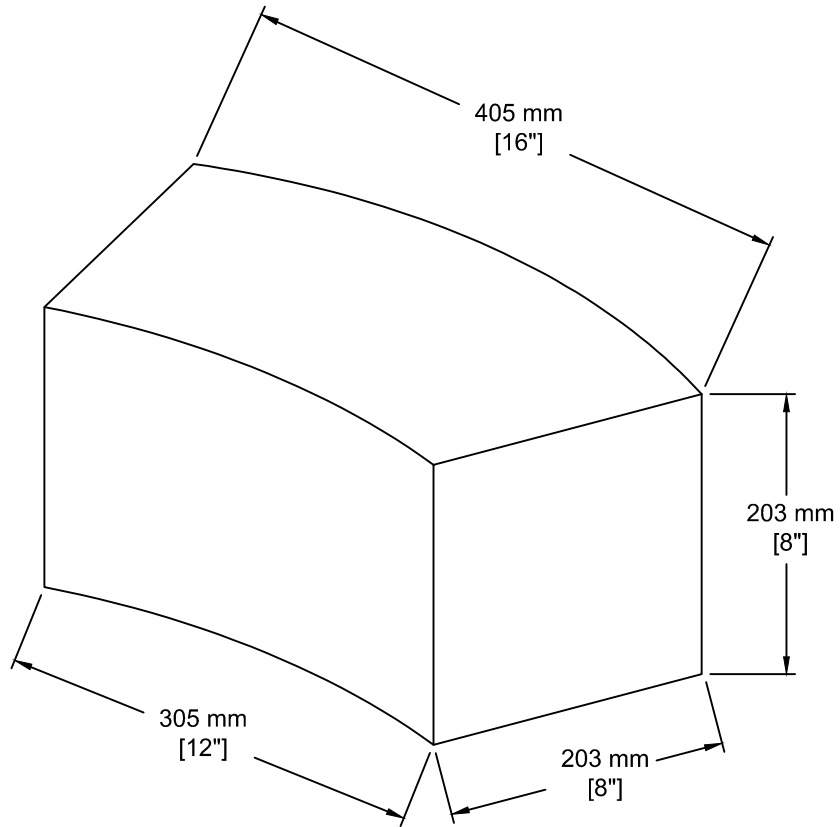
1050 [42"] ID TAKES 9 BLOCKS

1200 [48"] ID TAKES 13 BLOCKS

1500 [60"] ID TAKES 15 BLOCKS

1800 [72"] ID TAKES 16 BLOCKS

APPROXIMATE WEIGHT PER BLOCK: 76 LBS / 35 KG



TEL: 250-495-7556  
 socp@socp.ca  
 www.socp.ca

Box 419, 11602 - 115 st Osoyoos, BC V0H 1V0

FAX: 250-495-3556

**Manhole Blocks**

**Product #**

**0393**