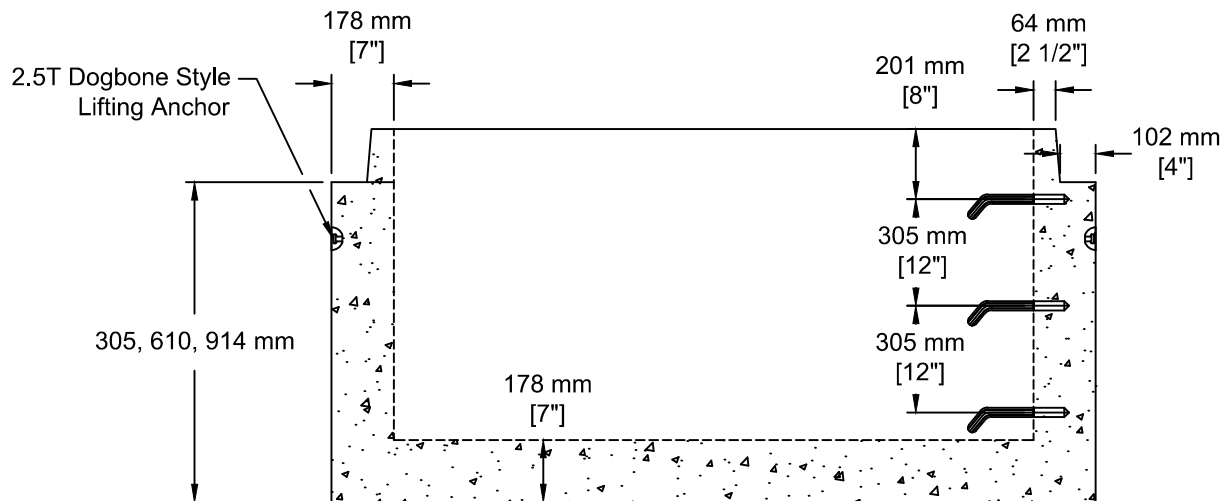


INSTALLATION INFORMATION
DESIGN SPECIFICATION - ASTM C478
2 - 2.5T DOGBONE STYLE LIFTING ANCHORS
WEIGHT: LBS / KG



TEL: 250-495-7556
 socp@socp.ca
 www.socp.ca

**1800 Monolithic Inside
 Poured Base**

Product #
0379-MB