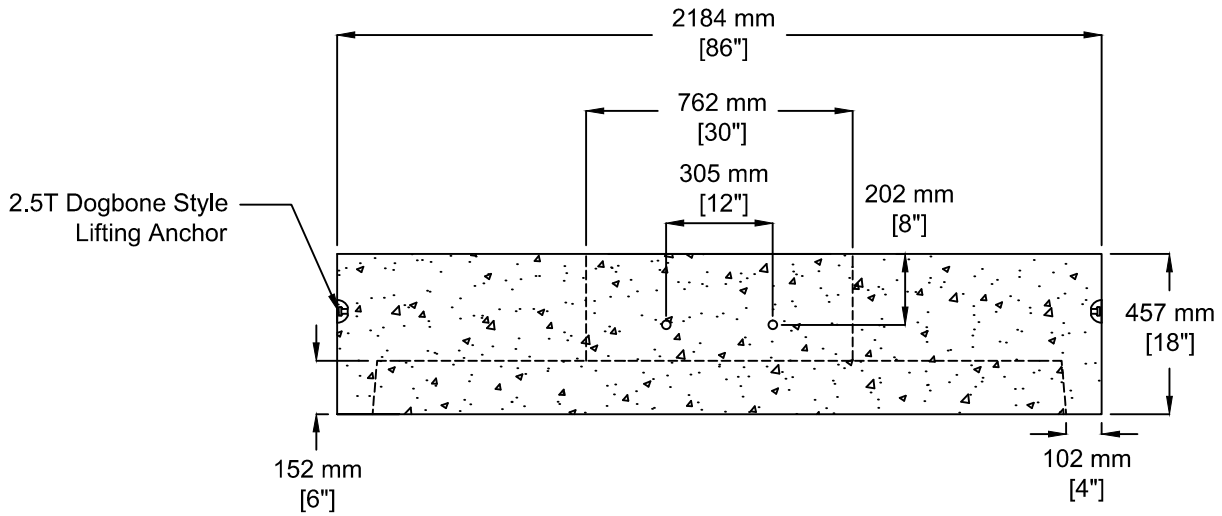


INSTALLATION INFORMATION
 3 - 2.5T DOGBONE STYLE LIFTING ANCHORS
 WEIGHT: 4700 LBS / 2132 KG



TEL: 250-495-7556
 socp@socp.ca
 www.socp.ca

**1800 ID (72") Manhole Lid
 - 762 mm Op**

Product #

0377