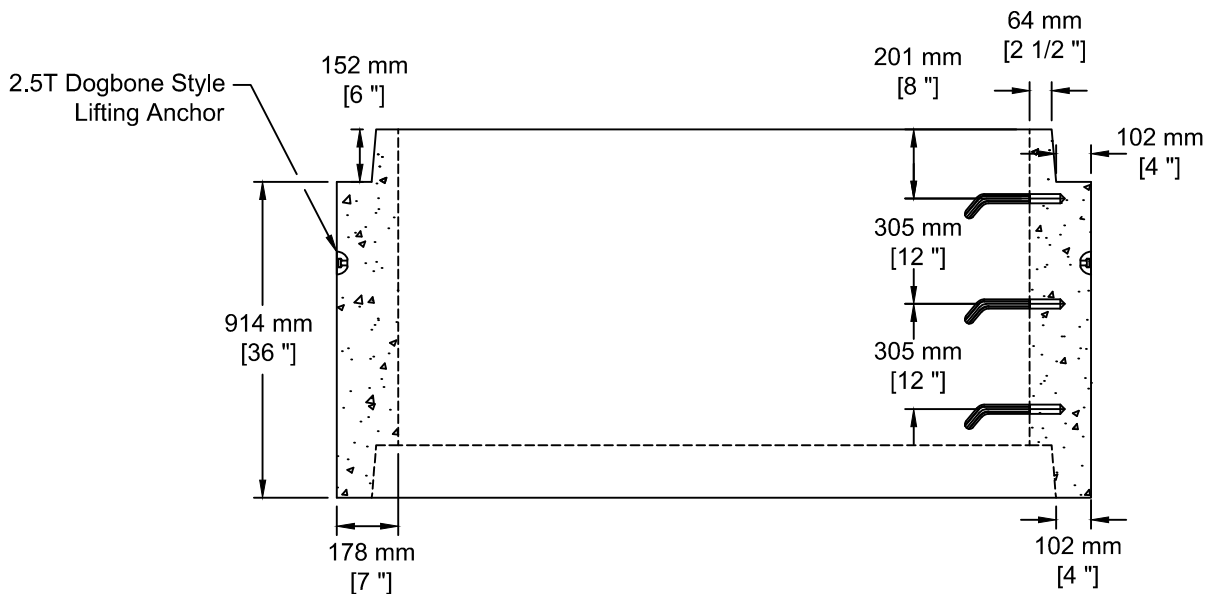


INSTALLATION INFORMATION
DESIGN SPECIFICATION - ASTM C478
2 - 2.5T DOGBONE STYLE LIFTING ANCHORS
WEIGHT: 5361 lbs / 2433 kg



**SOUTH OKANAGAN
 CONCRETE PRODUCTS LTD**

TEL: 250-495-7556
 socp@socp.ca
 www.socp.ca

**1800 ID (72") x 0.91vm
 Manhole Riser**

Product #

0373