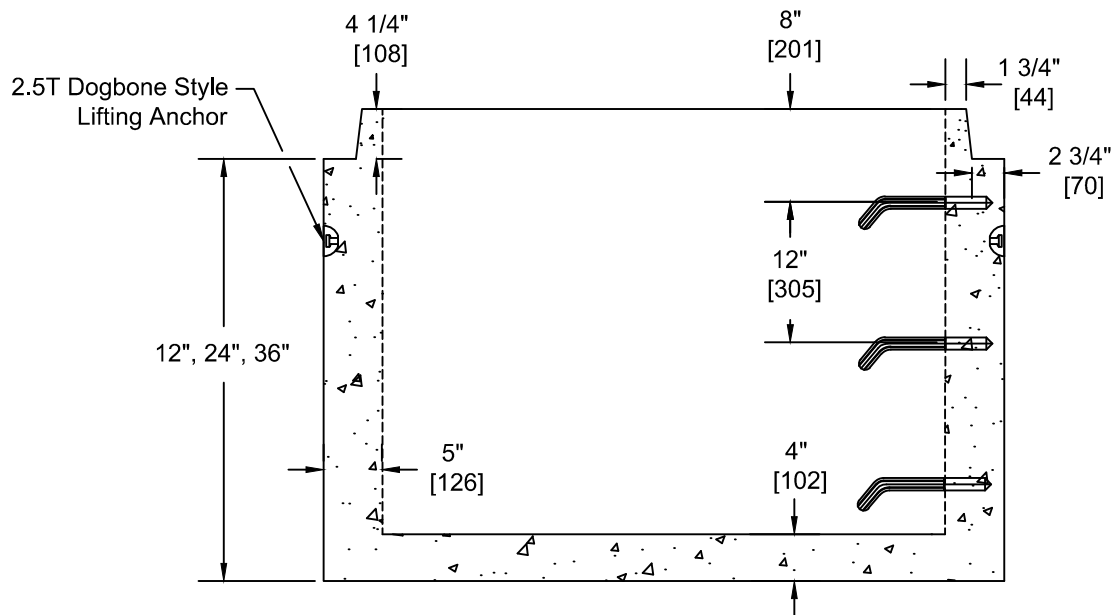


**INSTALLATION INFORMATION**  
 DESIGN SPECIFICATION - ASTM C478  
 2 - 2.5T DOGBONE STYLE LIFTING ANCHORS  
 WEIGHT: 3825 LBS / 1735 KG



TEL: 250-495-7556  
 socp@socp.ca  
 www.socp.ca

**1200 Monolithic  
 Inside Base x 0.91vm**

Product #  
**0349-MB**