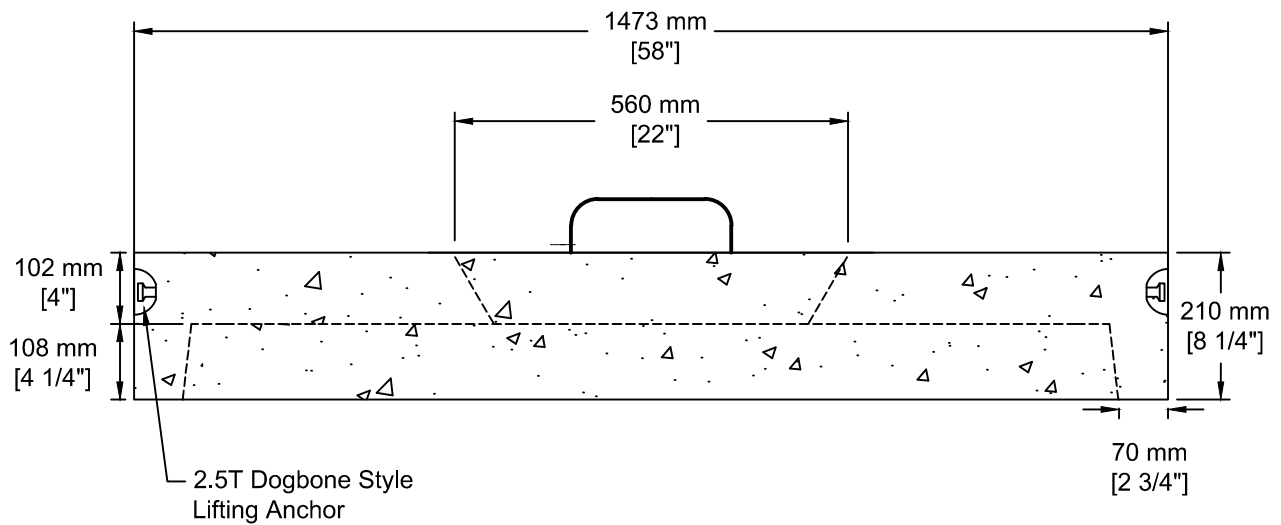


INSTALLATION INFORMATION

3 - 2.5T DOGBONE STYLE LIFTING ANCHORS

WEIGHT: 1149 LBS / 521 KG



2.5T Dogbone Style Lifting Anchor



TEL: 250-495-7556
 socp@socp.ca
 www.socp.ca

**1200 ID (48") Manhole Lid
 - MHP c/w Manhole Plug**

Product #

0348