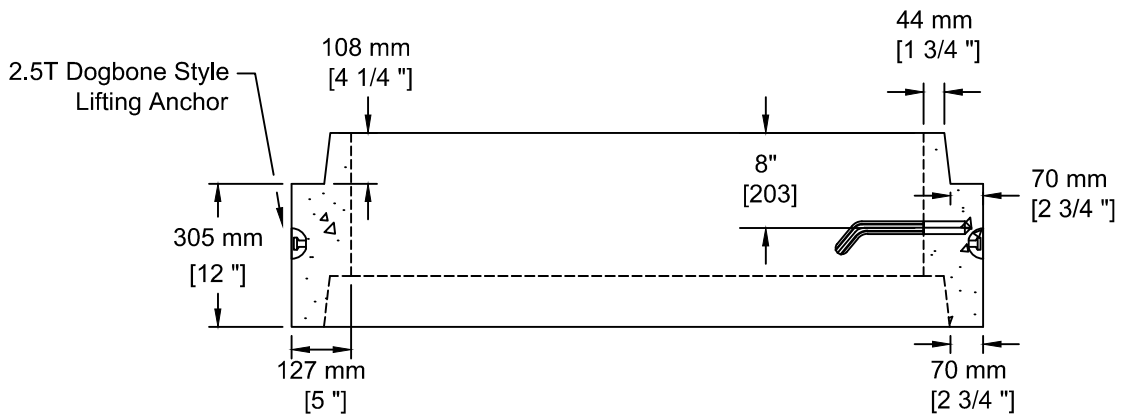


**INSTALLATION INFORMATION**  
 DESIGN SPECIFICATION - ASTM C478  
 2 - 2.5T DOGBONE STYLE LIFTING ANCHORS  
 WEIGHT: 840 LBS / 381 KG



TEL: 250-495-7556  
 socp@socp.ca  
 www.socp.ca

Box 419, 11602 - 115 st Osoyoos, BC V0H 1V0

FAX: 250-495-3556

1200 ID (48") x 0.3vm  
 Manhole Riser

Product #

**0341**