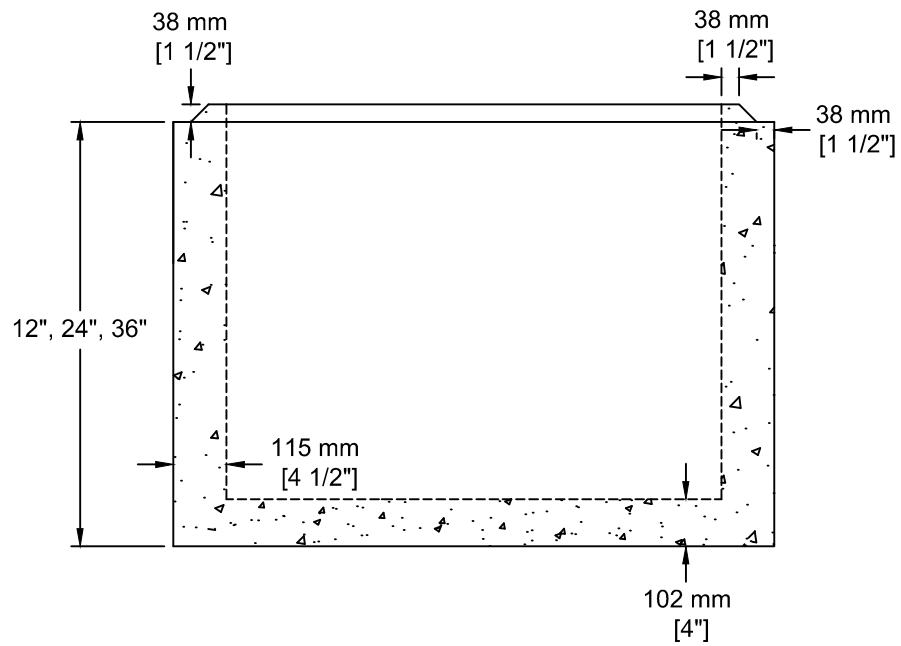


**INSTALLATION INFORMATION**  
 DESIGN SPECIFICATION - ASTM C478  
 3 - 2.5T DOGBONE STYLE LIFTING ANCHORS  
 WEIGHT: VARIES



TEL: 250-495-7556  
 socp@socp.ca  
 www.socp.ca

Box 419, 11602 - 115 st Ossoyoos, BC V0H 1V0

FAX: 250-495-3556

**1050 Monolithic Inside Base**

**Product #**

**0331-MB**