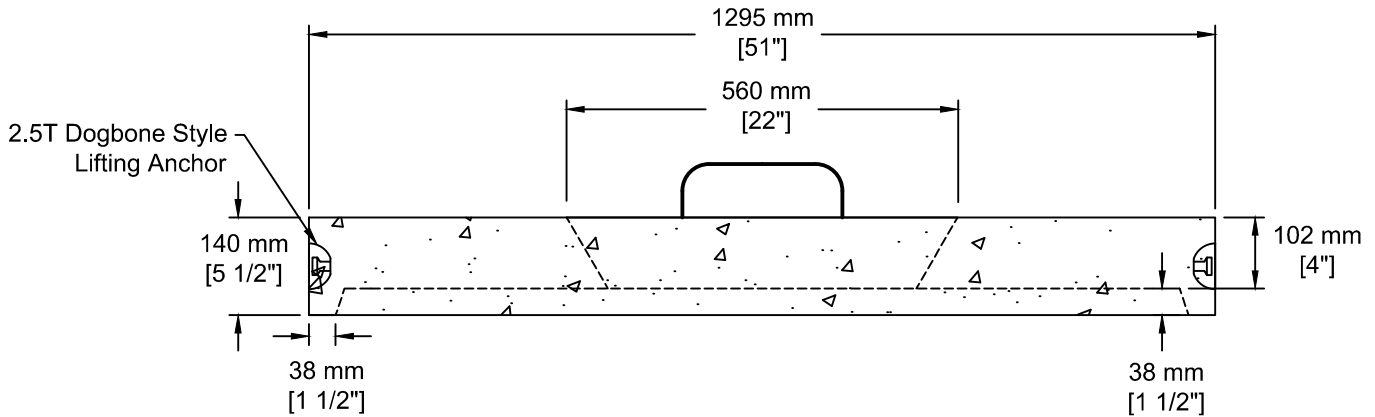


**INSTALLATION INFORMATION**

3 - 2.5T DOGBONE STYLE LIFTING ANCHORS

WEIGHT: 753 LBS / 341 KG




**SOUTH OKANAGAN  
CONCRETE PRODUCTS LTD**  
 TEL: 250-495-7556  
 socp@socp.ca  
 www.socp.ca  
Box 419, 11602 - 115 st Osoyoos, BC V0H 1V0 FAX: 250-495-3556

**1050 ID (42") Manhole Lid  
- MHP c/w Manhole Plug**

**Product #  
0329**