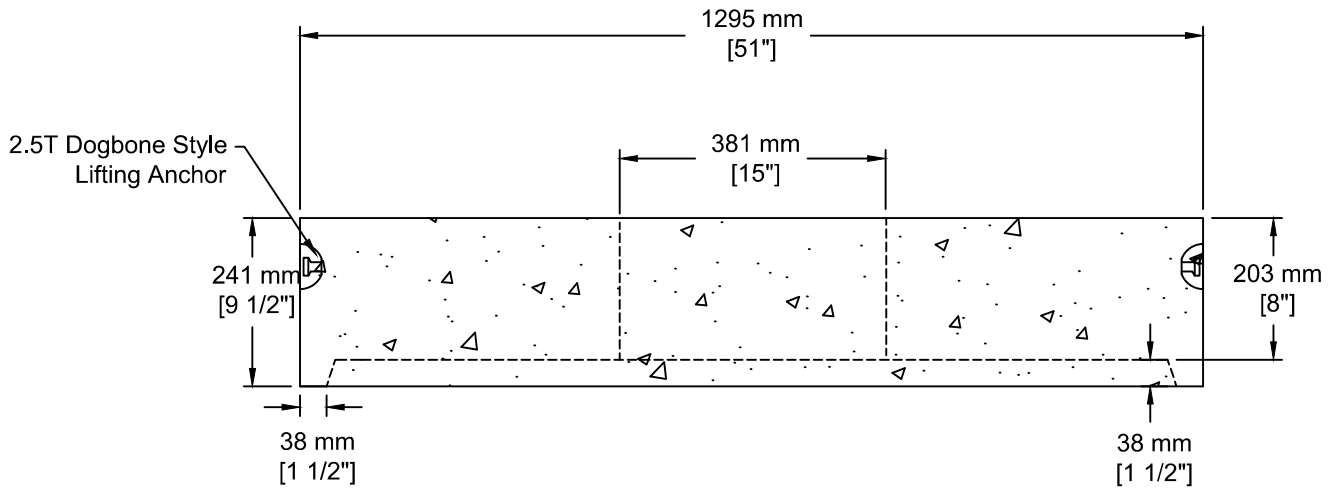


**INSTALLATION INFORMATION**

3 - 2.5T DOGBONE STYLE LIFTING ANCHORS

WEIGHT: 1217 LBS / 553 KG



TEL: 250-495-7556  
 socp@socp.ca  
 www.socp.ca

1050 Manhole Lid - 483 Op  
 B37 Opening

Product #  
 0328-B37