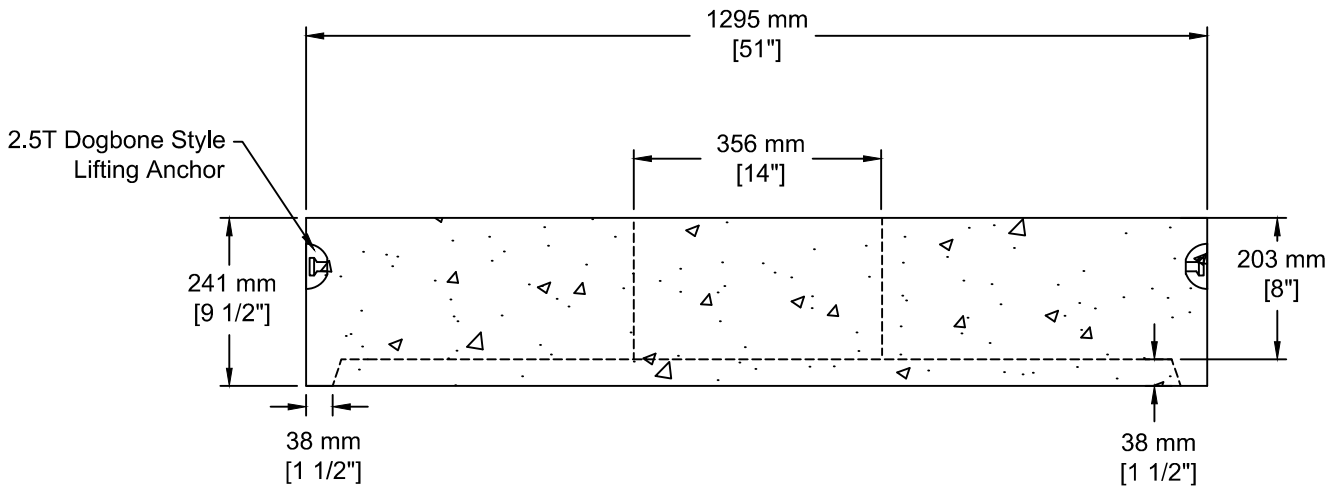


INSTALLATION INFORMATION

3 - 2.5T DOGBONE STYLE LIFTING ANCHORS

WEIGHT: 1217 LBS / 553 KG




**SOUTH OKANAGAN
CONCRETE PRODUCTS LTD**
 TEL: 250-495-7556
 socp@socp.ca
 www.socp.ca
Box 419, 11602 - 115 st Osoyoos, BC V0H 1V0 FAX: 250-495-3556

**1050 Manhole Lid - 610 Op
B19 Opening**

**Product #
0328-B19**