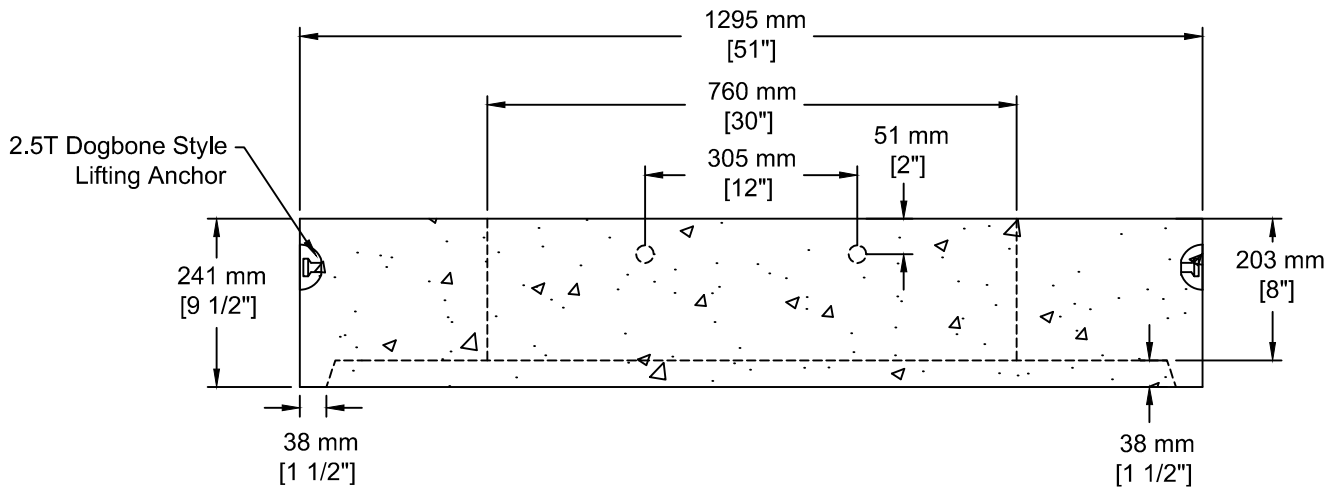


**INSTALLATION INFORMATION**

3 - 2.5T DOGBONE STYLE LIFTING ANCHORS

WEIGHT: 979 LBS / 444 KG



TEL: 250-495-7556  
socp@socp.ca  
www.socp.ca

1050 ID (42") Manhole Lid  
- 762 mm Op

Product #  
**0327**