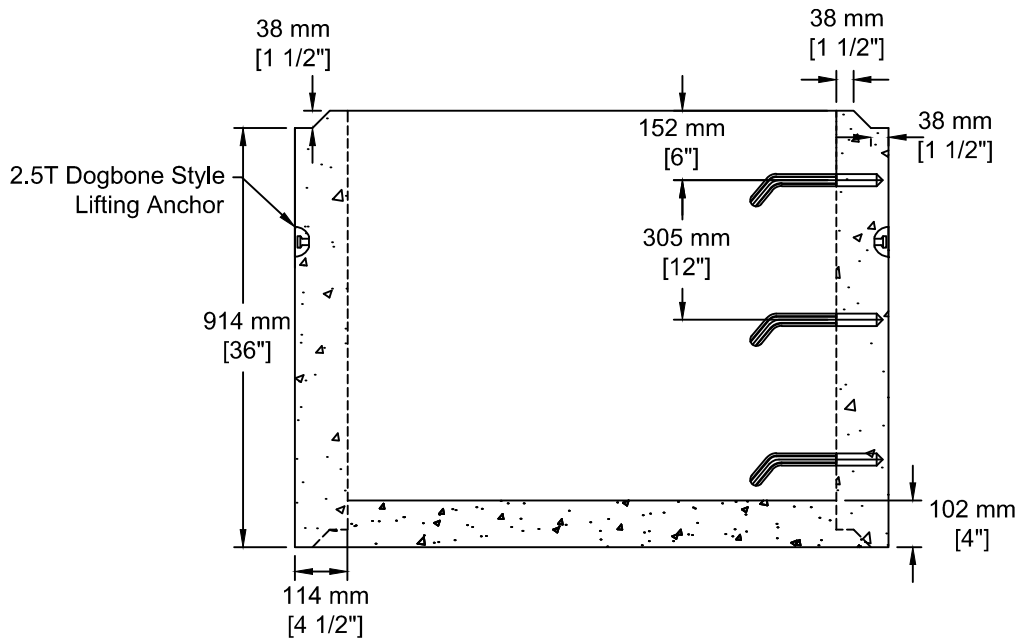


INSTALLATION INFORMATION
 DESIGN SPECIFICATION - ASTM C478
 2 - 2.5T DOGBONE STYLE LIFTING ANCHORS
 WEIGHT: 2650 LBS / 1202 KG



TEL: 250-495-7556
 socp@socp.ca
 www.socp.ca

Box 419, 11602 - 115 st Osoyoos, BC V0H 1V0

FAX: 250-495-3556

1050 ID (42") x 0.91vm
 Manhole - IB c/w Inside Base

Product #

0323-IB