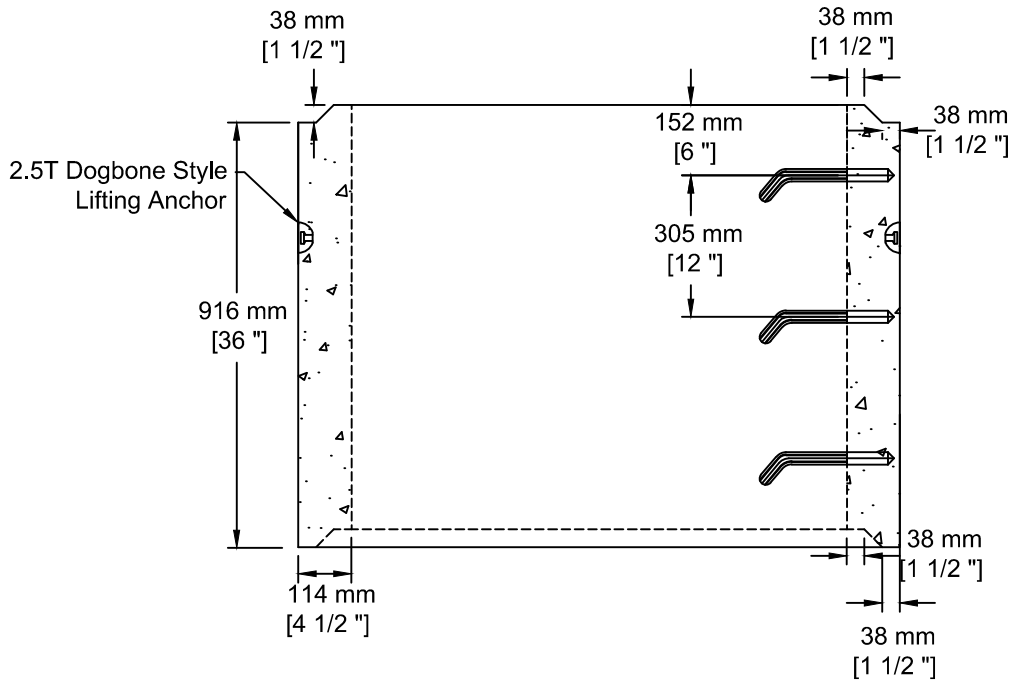


**INSTALLATION INFORMATION**  
**DESIGN SPECIFICATION - ASTM C478**  
**2 - 2.5T DOGBONE STYLE LIFTING ANCHORS**  
**WEIGHT: 1815 LBS / 825 KG**



TEL: 250-495-7556  
 socp@socp.ca  
 www.socp.ca

**1050 ID ( 42") x 0.91vm**  
**Manhole Riser**

**Product #**  
**0323**