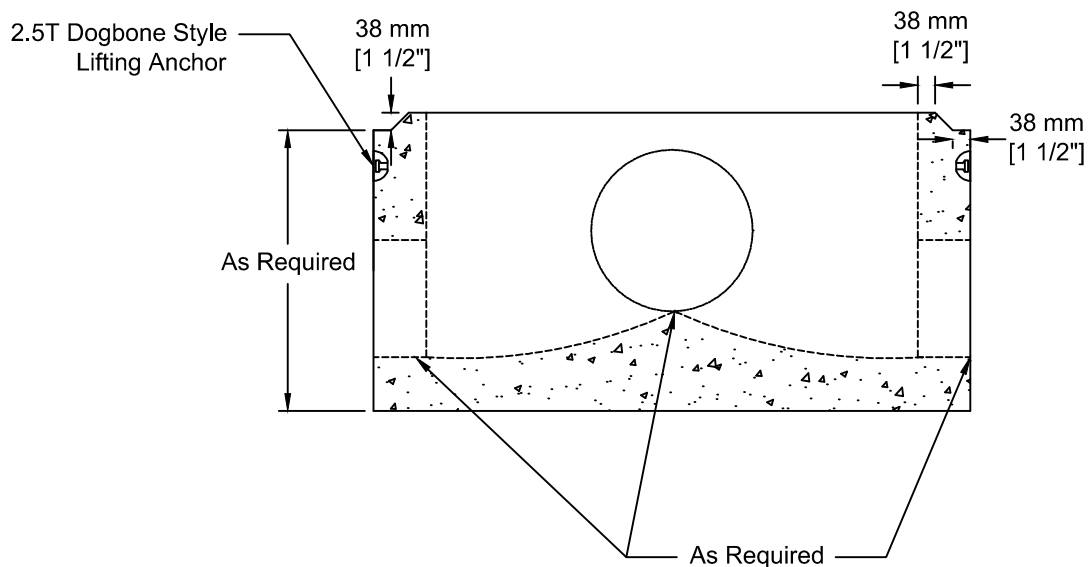


INSTALLATION INFORMATION

3 - 2.5T DOGBONE STYLE LIFTING ANCHORS
 HOLE SIZE AND PLACEMENT AS REQUIRED
 WEIGHT: VARIES



TEL: 250-495-7556
 socp@socp.ca
 www.socp.ca

Box 419, 11602 - 115 st Osoyoos, BC V0H 1V0

FAX: 250-495-3556

1050 ID (42") Prebench
 Manhole Base

Product #

0300