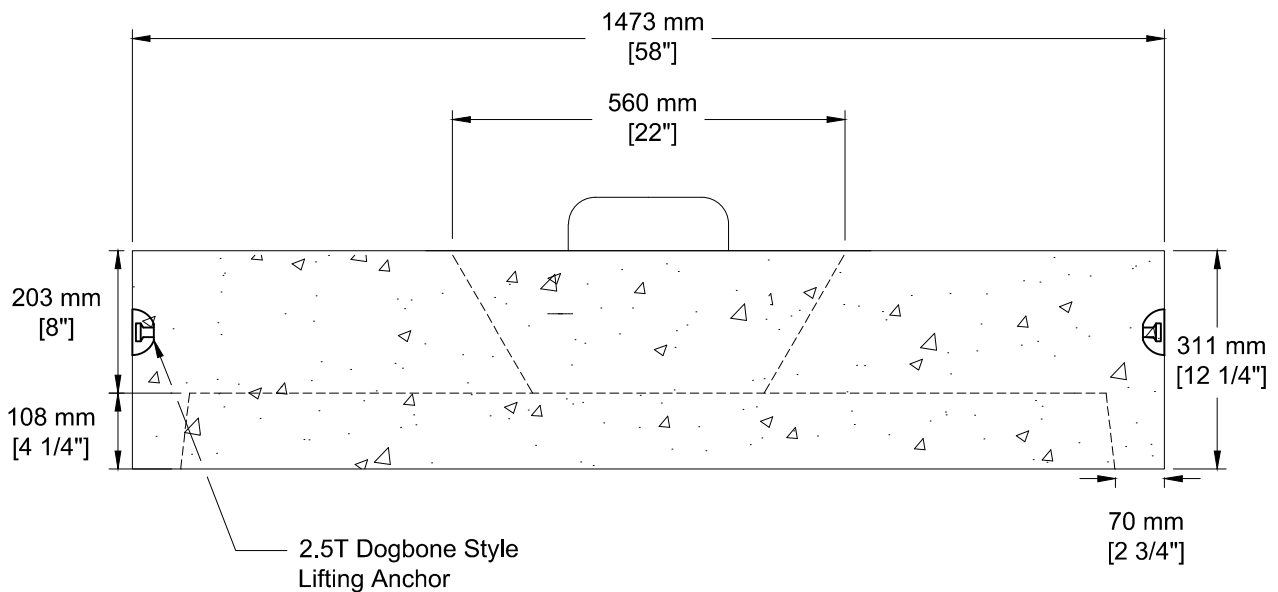


INSTALLATION INFORMATION

3 - 2.5T DOGBONE STYLE LIFTING ANCHORS

WEIGHT: 1892 LBS / 858 KG



TEL: 250-495-7556
 socp@socp.ca
 www.socp.ca

**1200 ID (48") Drywell Lid
 - MHP c/w Manhole Plug**

Product #

0269-8